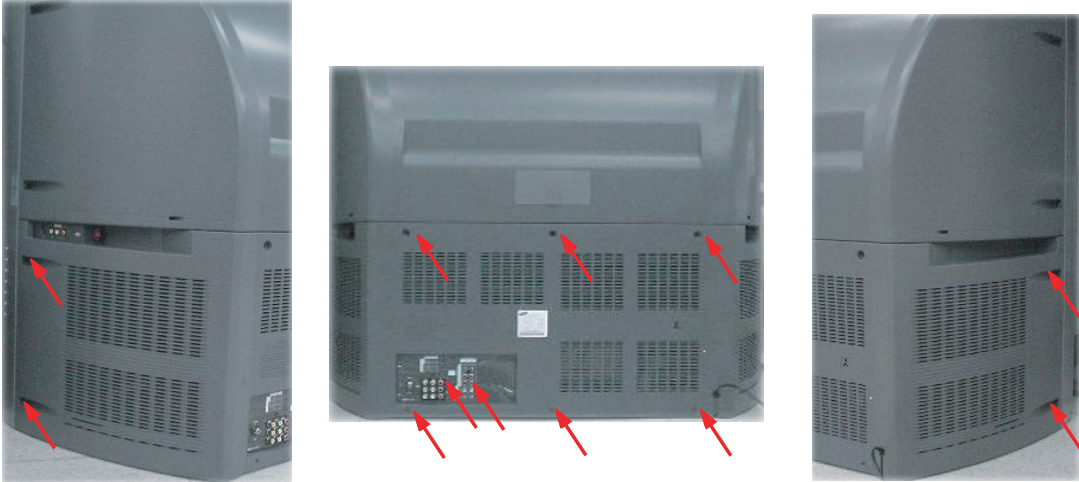


### 3. Troubleshooting

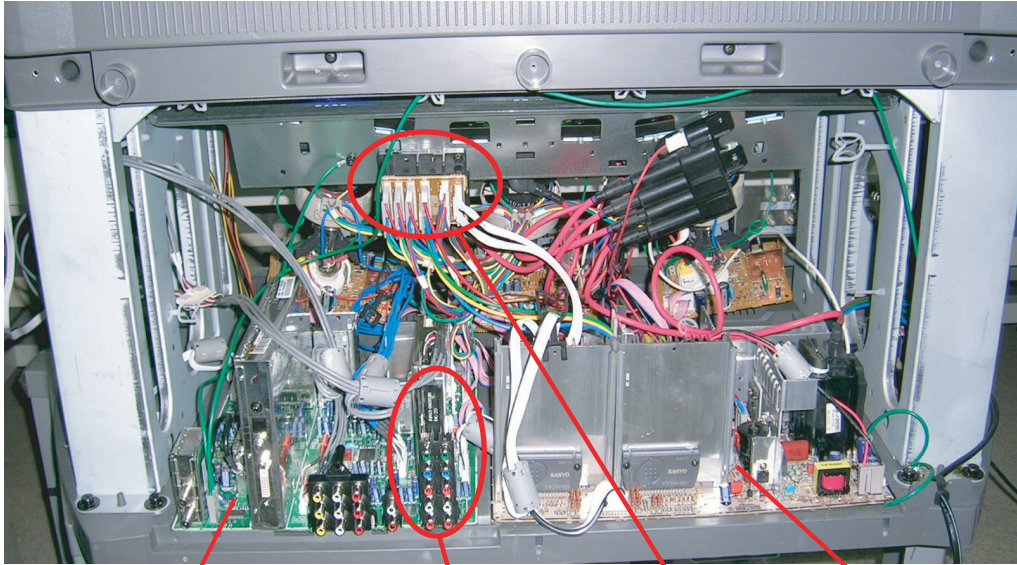
#### 3-1 Opening the Set and Replacing Assemblies

##### 3-1-1 Replacing and Repairing Each Assembly (Opening the Back Cover)



Remove all indicated screws on the rear side of the Set

Repair or replace the required Assembly



MAIN

CG Module

DY JACK

SUB

### 3-1-2 Replacing and Repairing the CRT-PCB (Opening the Rear Cover)



Remove all indicated screws and open the Rear Cover.

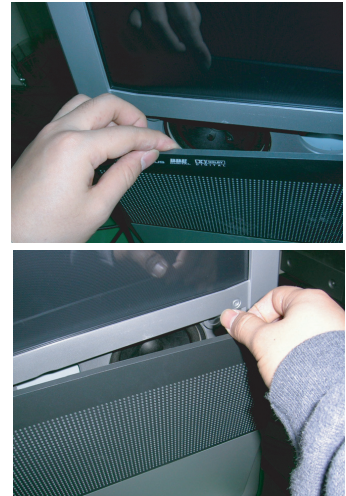
Remove the Front- Panel and PWR- Control



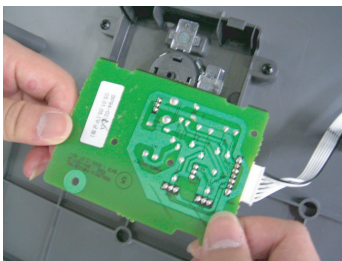
Remove the Screw - Left back



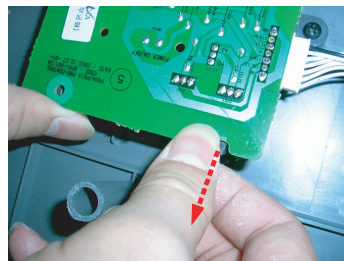
Remove the Screw - Right Back



Remove the Front Panel

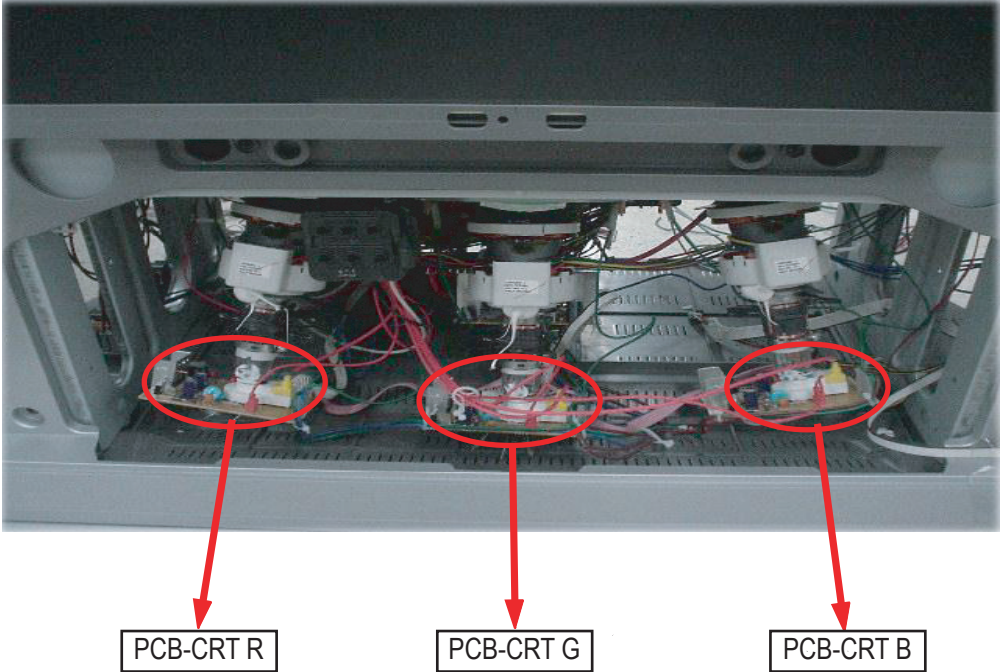


Remove the PWR- Control

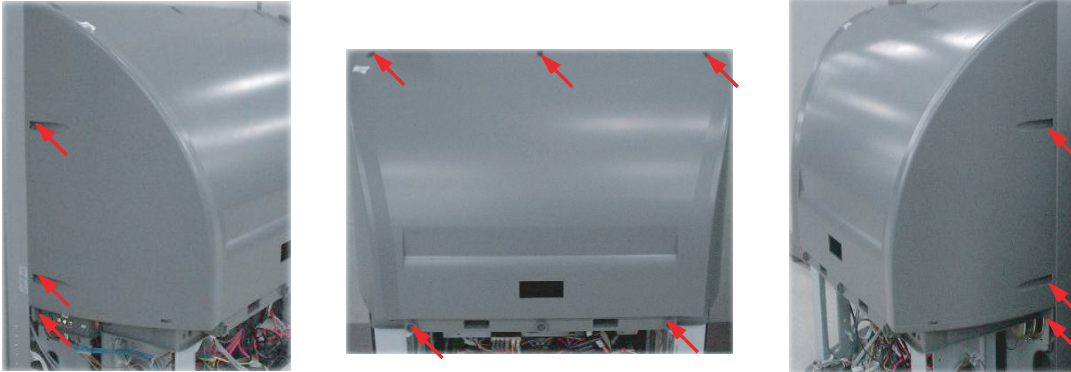


Remove the Screw and Pull down the Locked point

Repair the frontal PCB-CRT or replace it after removing the attached connectors



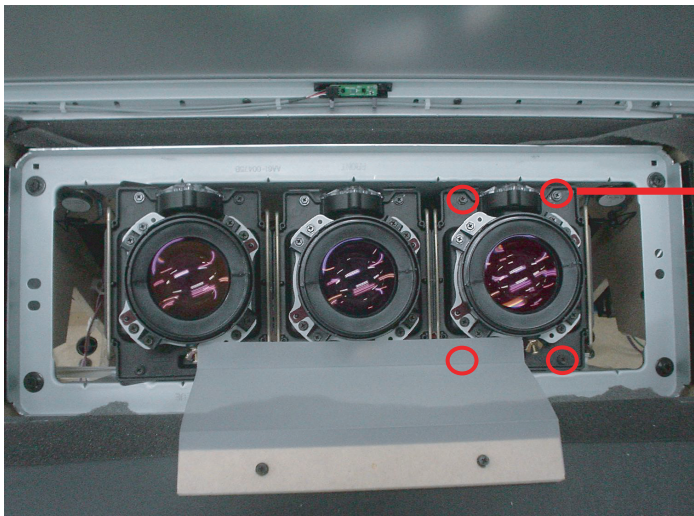
### 3-1-3 Replacing a Burnt or Exhausted CRT



The Back Cover is detached as illustrated below (refer to the Opening Back Cover).  
Remove the screws indicated and detach the Top Cover

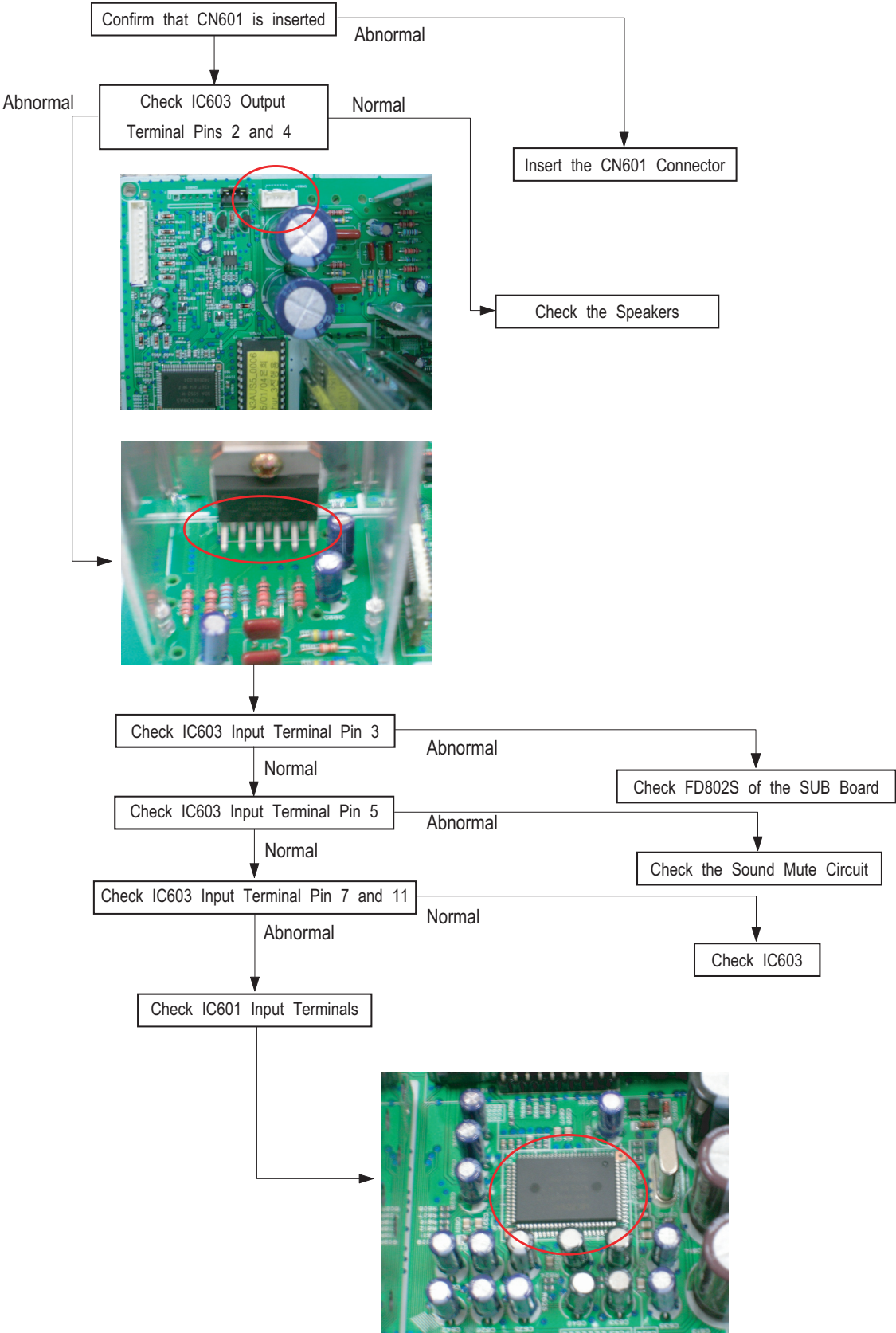


Remove the Dust Cover that prevents dust from entering into the screen

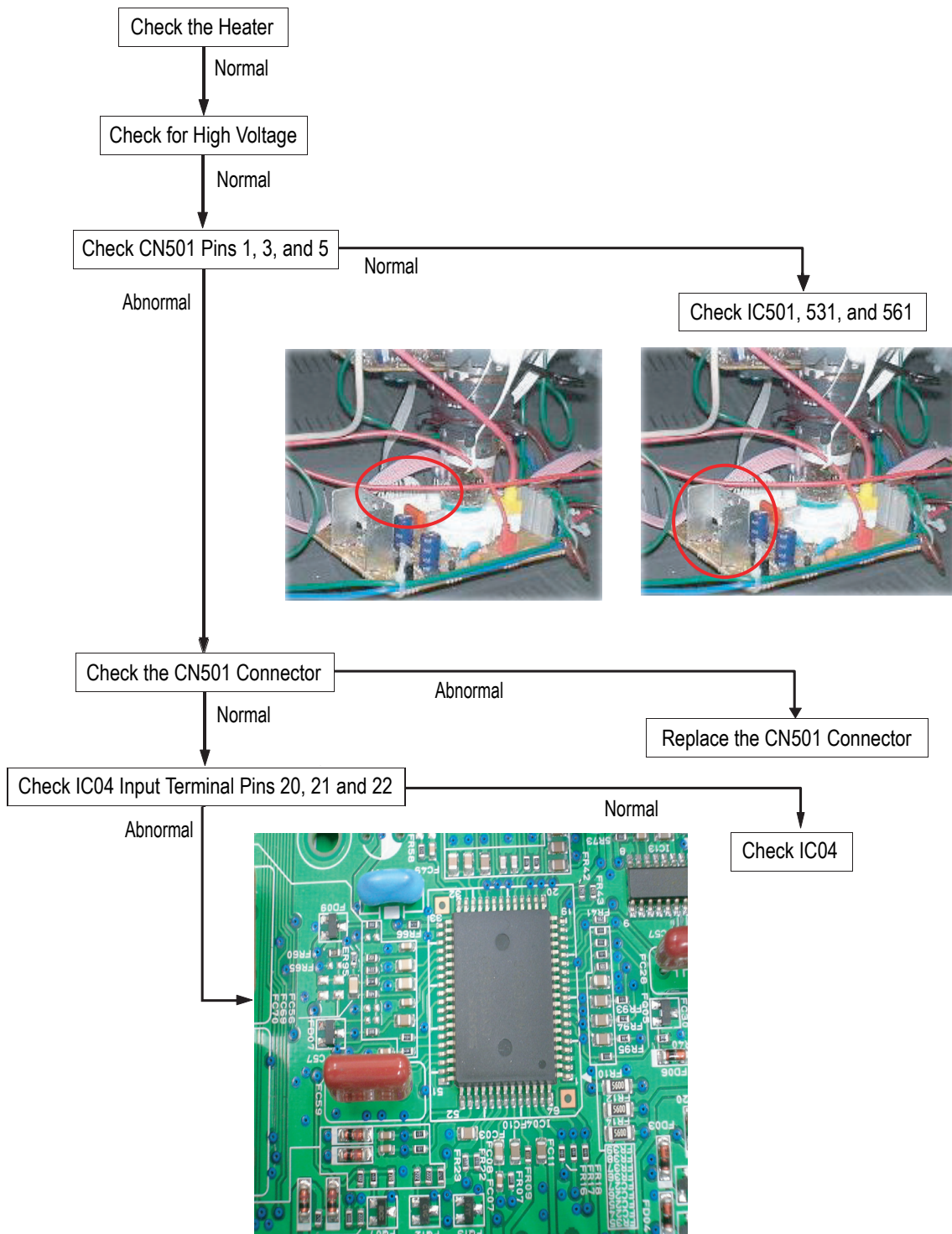


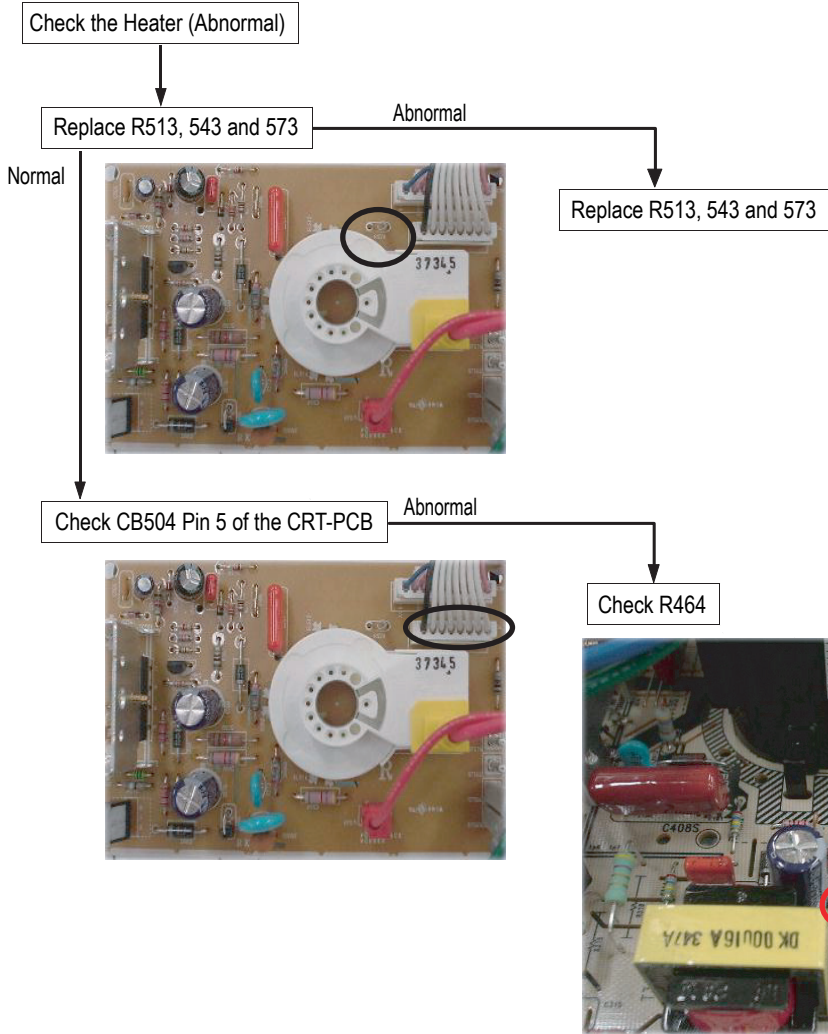
Before proceeding, disconnect all the DY and Connectors connected to the assembly.  
Remove the 4 corner screws from the CRT and replace the CRT

### 3-2 Repairing No Sound



### 3-3 Repairing No Video (with Normal Sound)





# MEMO